

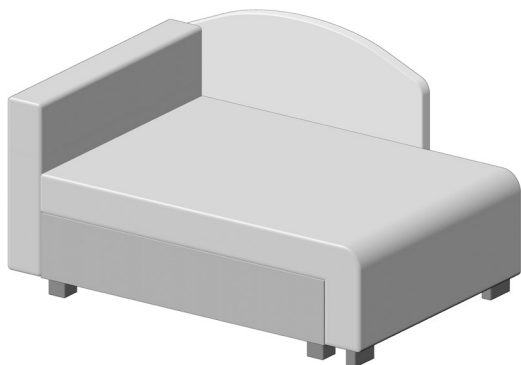
# BONY UNI

20230321

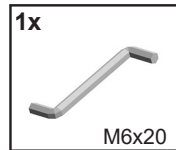
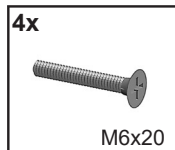
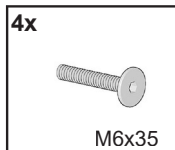
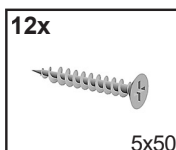
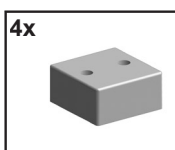
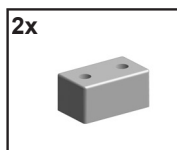
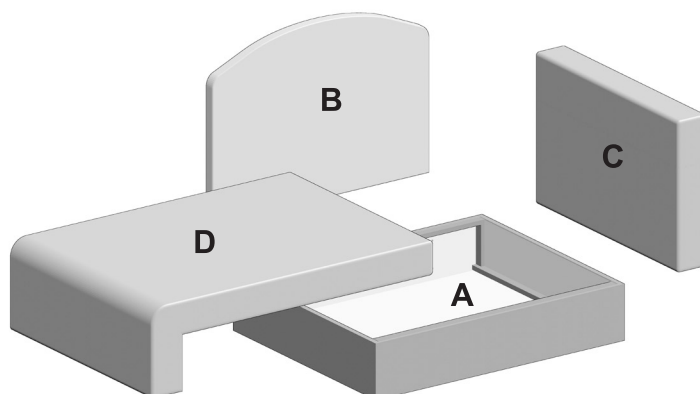
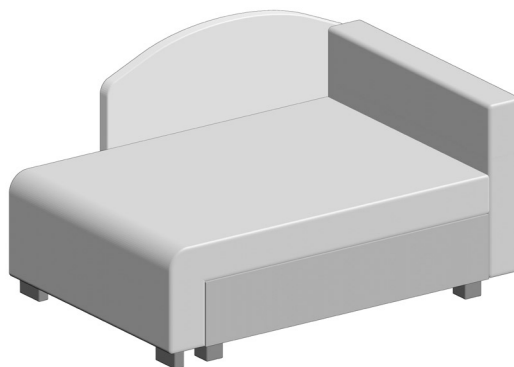


HDPE LDPE

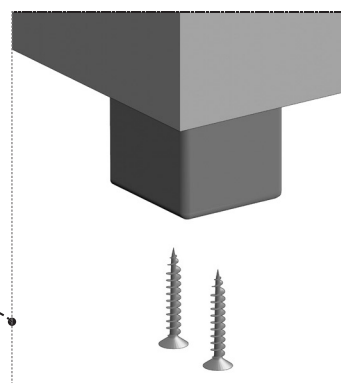
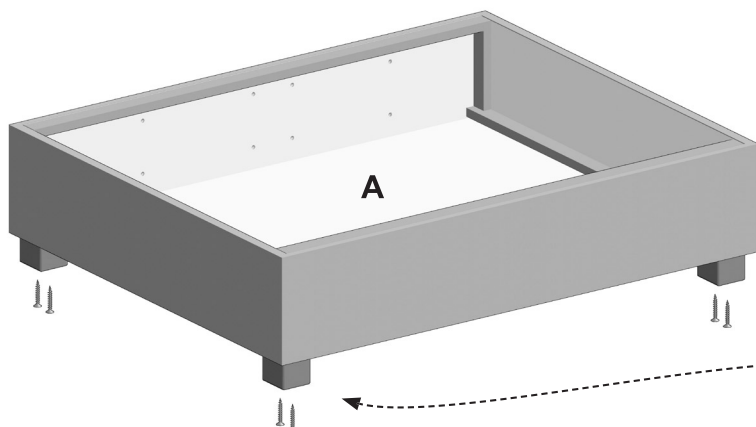
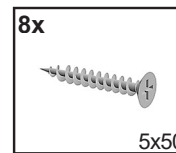
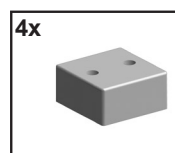
## Ver. A



## Ver. B



# 1



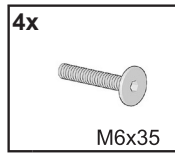
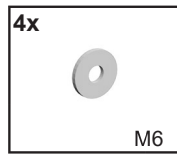
1/3

# BONY UNI

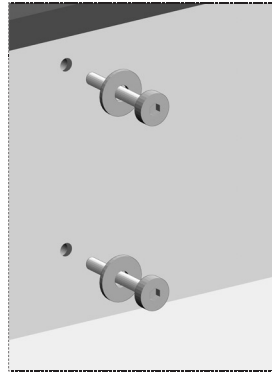
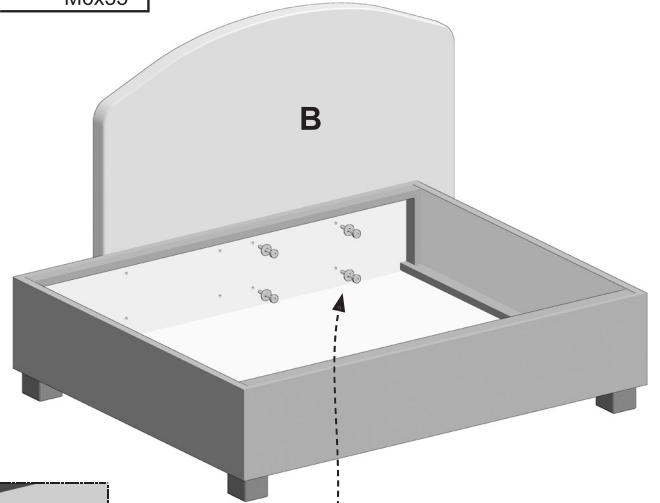
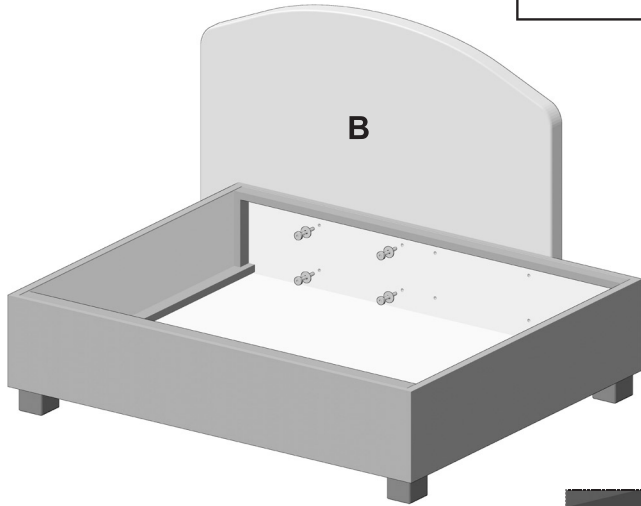
20230321

**2**

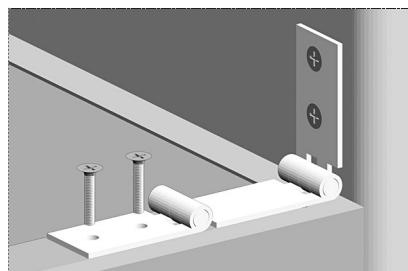
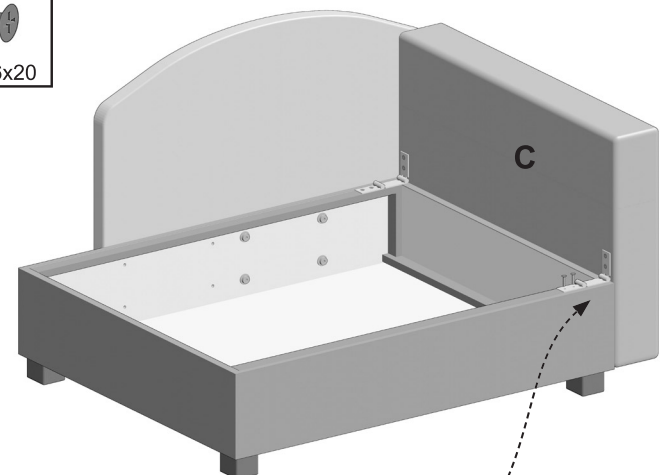
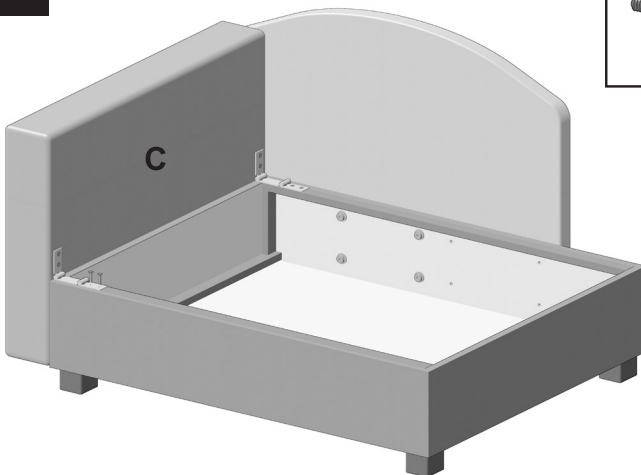
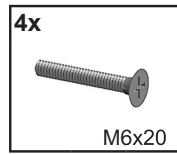
**Ver. A**



**Ver. B**



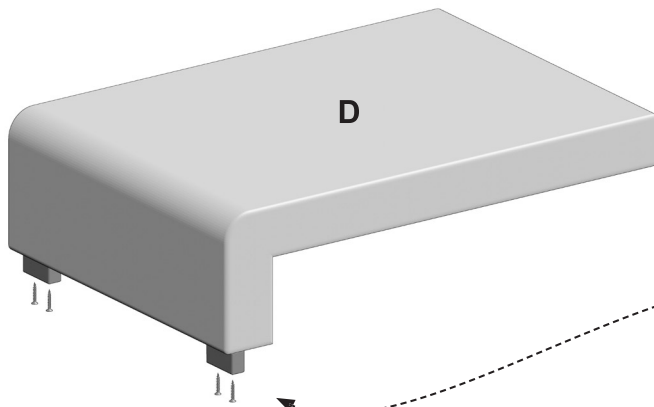
**3**



# BONY UNI

20230321

4



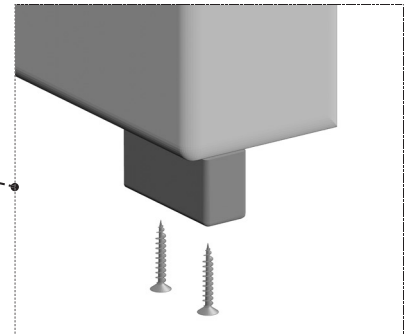
2x



4x

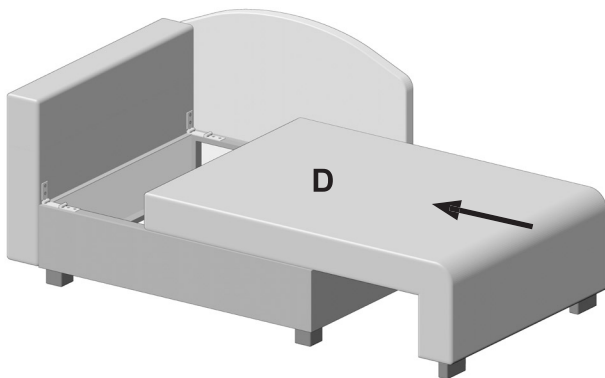


5x50

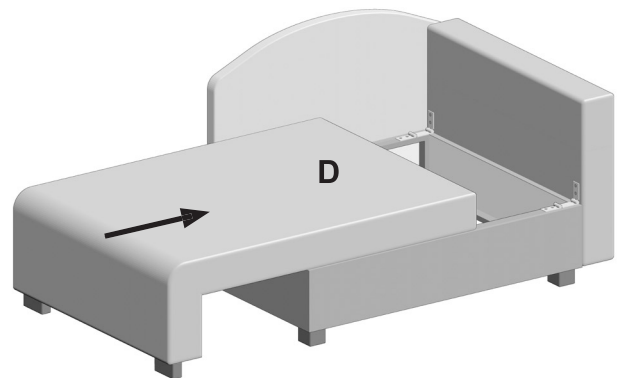


5

Ver. A

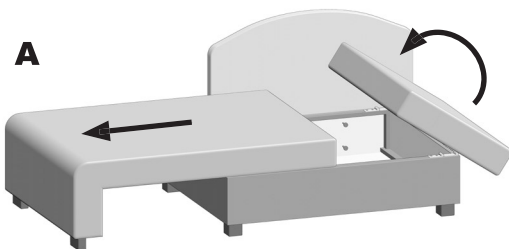


Ver. B

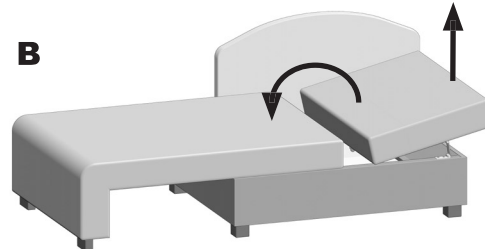


6

A



B



C

